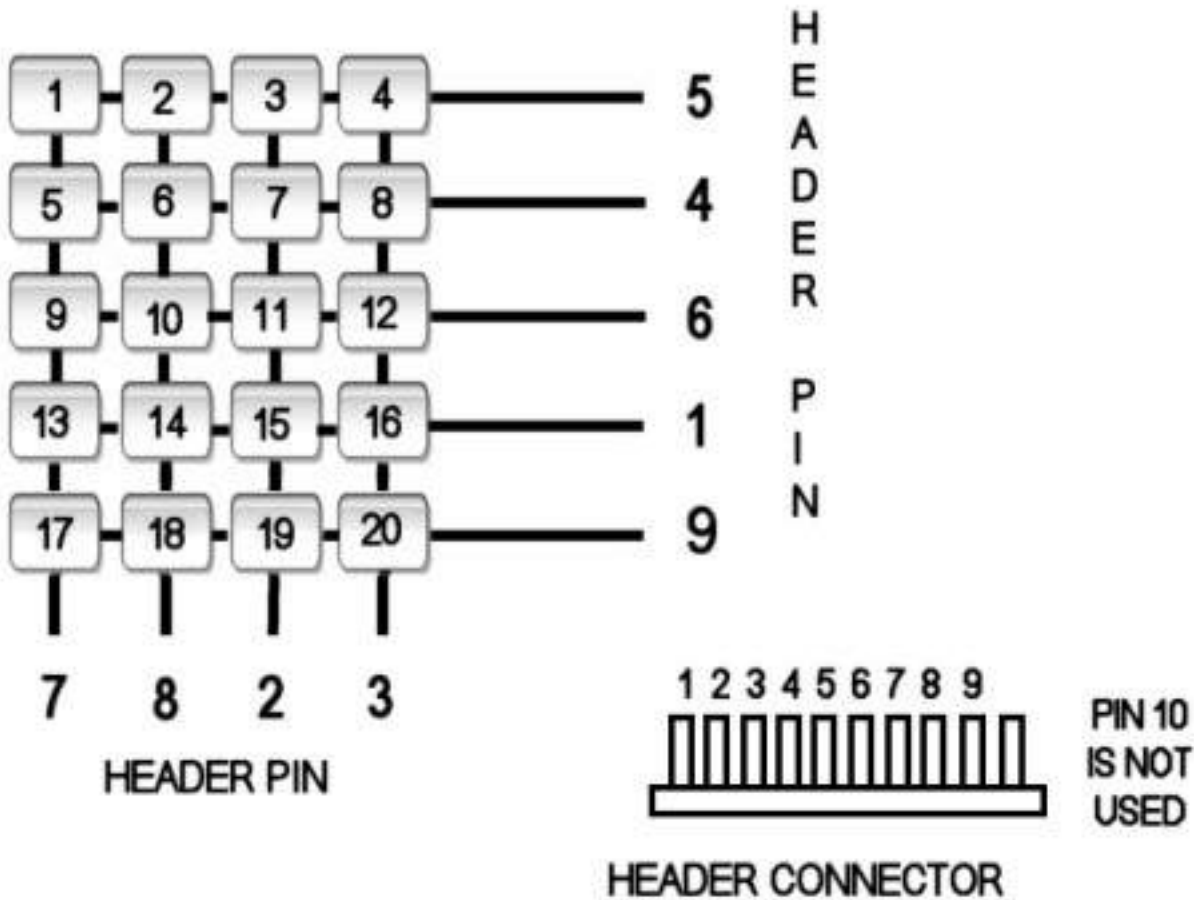


20 Position Key Switch Pad



SWITCH CLOSURES

SWITCH #	HEADER PINS	SWITCH #	HEADER PINS
1	5-7	11	6-2
2	5-8	12	6-3
3	5-2	13	1-7
4	5-3	14	1-8
5	4-7	15	1-2
6	4-8	16	1-3
7	4-2	17	9-7
8	4-3	18	9-8
9	6-7	19	9-2
10	6-8	20	9-3